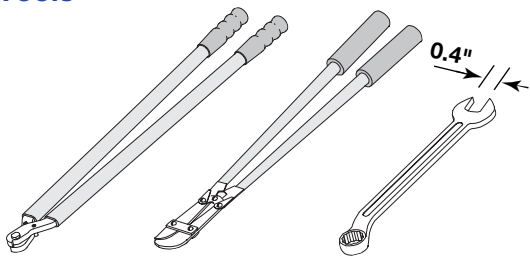
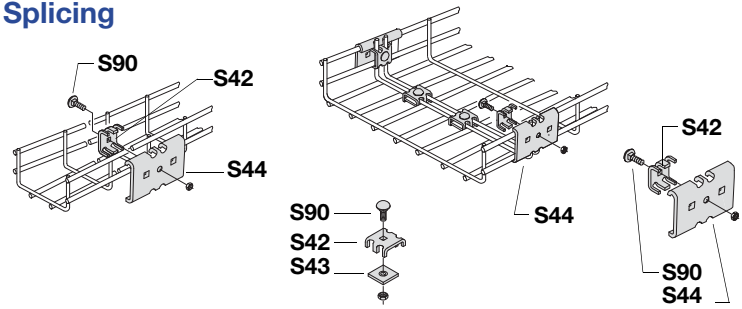


# Installation Guide

## Tools

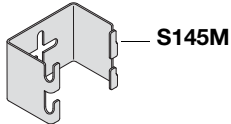
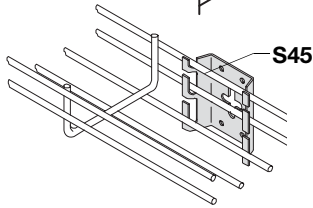
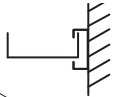


## Splicing

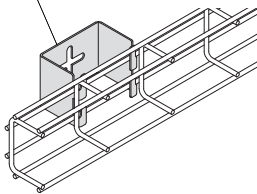


## Mounting Options

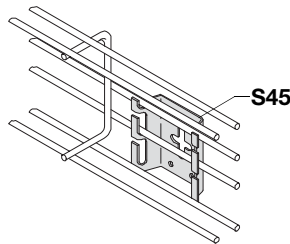
### Horizontal A



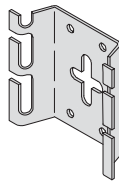
S145M



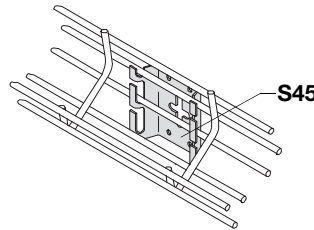
### Horizontal B



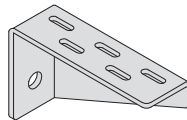
S45



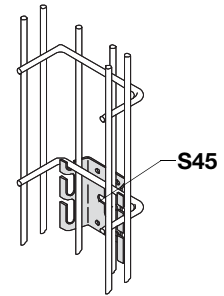
### Horizontal C



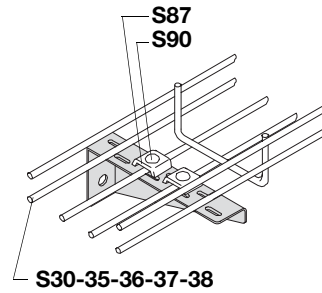
S65-66-67-68



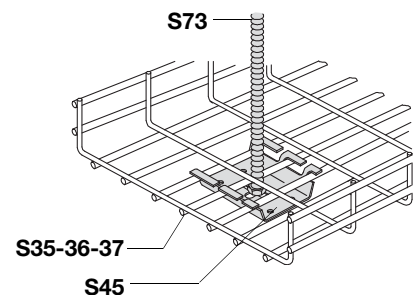
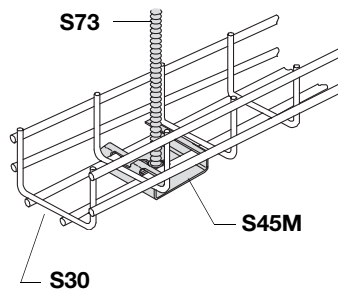
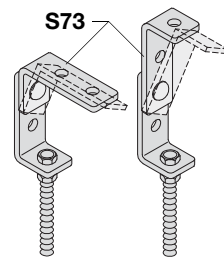
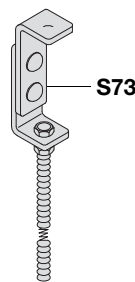
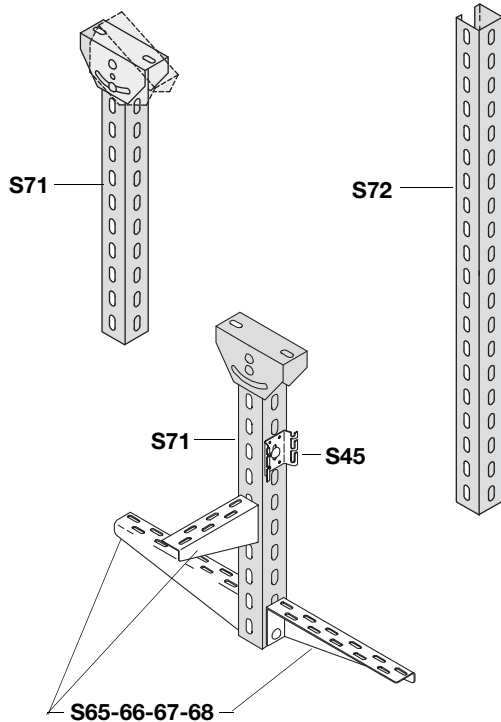
### Vertical D



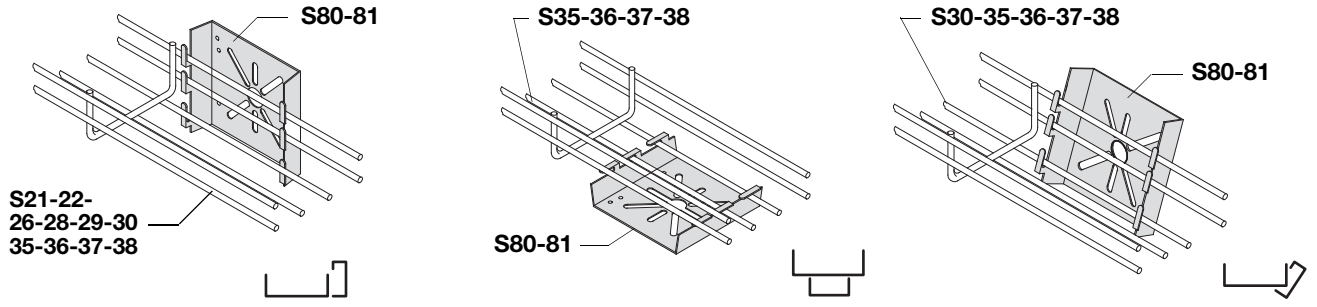
S87  
S90



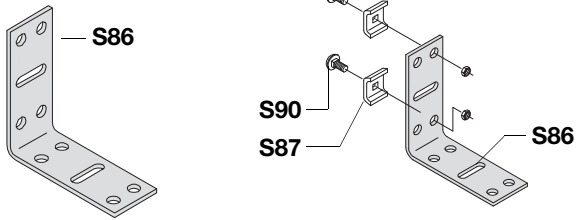
## Ceiling Hanger



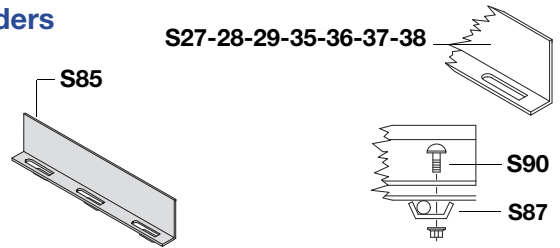
## Wall Mount Brackets / Electrical Box Brackets



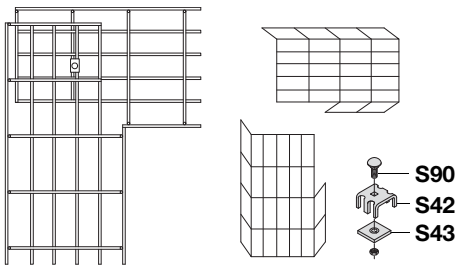
## Angle bracket



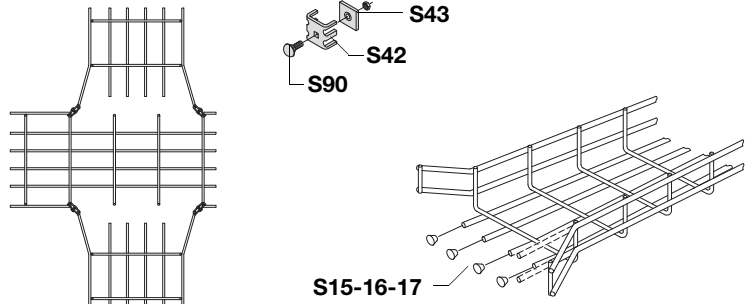
## Dividers



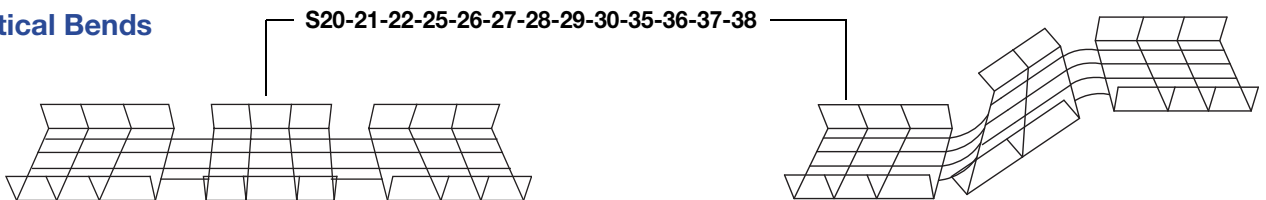
## Elbows



## Tees and Crosses



## Vertical Bends



## Bends

